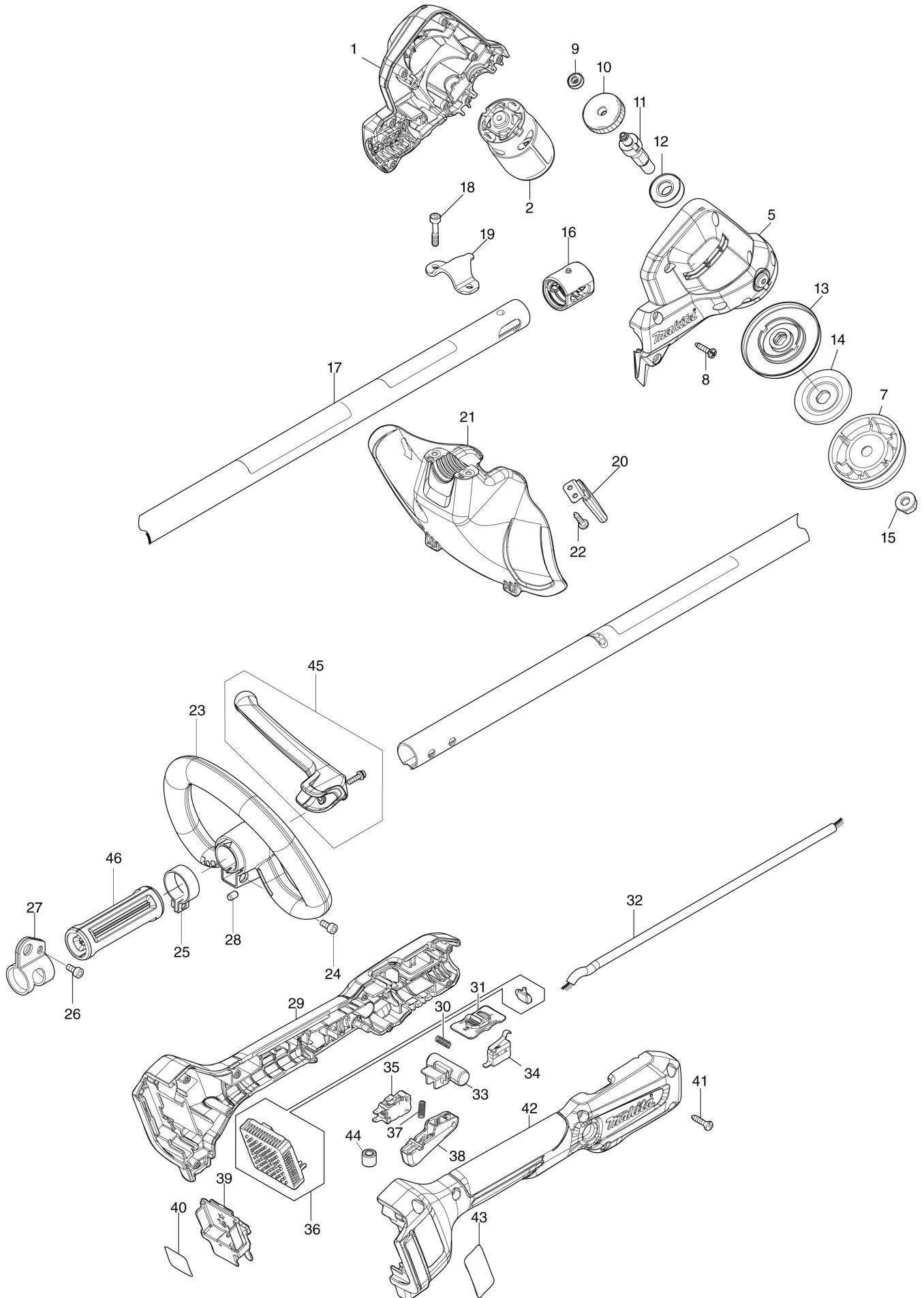


(QA) DUR194 / CORDLESS GRASS TRIMMER



DUR194 / CORDLESS GRASS TRIMMER

Item	Sub	Parts No.	Parts Description	Qty	I/C	E/C No.	Close No.	Remark
001		183W20-8	MOTOR HOUSING SET	1				
	C10	213021-5	O RING 5	1				
	C20	233072-2	COMPRESSION SPRING 8	1				
	C30	256546-6	SHOULDER PIN 4	1				
	C40	412408-0	PIN CAP	1				
	D10		INC. 5					
002		629B19-8	DC MOTOR	1				
005		183W20-8	MOTOR HOUSING SET	1				
	C10	213021-5	O RING 5	1				
	C20	233072-2	COMPRESSION SPRING 8	1				
	C30	256546-6	SHOULDER PIN 4	1				
	C40	412408-0	PIN CAP	1				
	D10		INC. 1					
007		168526-9	CUP	1				
008		266326-2	TAPPING SCREW 4X18	8				
009		210215-3	BALL BEARING 695ZZ	1				
010		227950-6	HELICAL GEAR 31	1				
011		327542-2	CUTTER SHAFT	1				
012		210216-1	BALL BEARING 6001DDW	1				
013		140T23-7	RECEIVE WASHER COMPLETE	1				
	C10	213134-2	O-RING 11	1				
014		347668-4	CLAMP WASHER	1				
015		264025-0	HEX. NUT M10-17	1				
016		424567-8	RUBBER SLEEVE 24	1				
017		141K17-1	PIPE COMPLETE B	1				
	C10	819312-8	MAKITA LOGO LABEL	1				
	C20	808723-2	CAUTION LABEL	1				
	C30	8050N8-5	CAUTION LABEL	1				
018		251513-6	H.S.H.BOLT M5X25	2				
019		347667-6	PROTECTOR CLAMP	1				
020		140W25-1	CUTTER COVER COMPLETE	1				
021		413F99-6	PROTECTOR	1				
022		266326-2	TAPPING SCREW 4X18	2				
023		413L67-5	LOOP HANDLE 24	1				
024		922212-4	HEX. SOCKET HEAD BOLT M5X12	1				
025		347011-7	PIPE CLAMP 29	1				
026		922212-4	HEX. SOCKET HEAD BOLT M5X12	1				
027		347116-3	HANGER	1				
028		263005-3	RUBBER PIN 6	1				
029		183V24-4	GRIP HOUSING SET	1				
	C10	263005-3	RUBBER PIN 6	3				
	D10		INC. 42					
030		231473-8	COMPRESSION SPRING 4	1				
031		413G02-3	SPEED CHANGE LEVER	1				
032		699196-8	POWER SUPPLY CORD UNIT	1				
033		413G01-5	LOCK OFF BUTTON	1				
034		632T87-0	SWITCH UNIT	1				
035		650029-2	SWITCH BMC-1212-002	1				
036		620J07-6	CONTROLLER	1				
037		231473-8	COMPRESSION SPRING 4	1				
038		413714-6	SWITCH LEVER	1				
039		643874-2	TERMINAL	1				
040		8118Y1-4	DUR194 SERIAL NO. LABEL	1				
041		266326-2	TAPPING SCREW 4X18	8				
042		183V24-4	GRIP HOUSING SET	1				
	C10	263005-3	RUBBER PIN 6	3				
	D10		INC. 29					
043		8118X5-9	DUR194 NAME PLATE	1				
045		143695-7	BARRIER COMPLETE	1				
	C10	911128-8	P.H.SCREW M4X16 WITH WR	1				
046		451601-1	SPACER 24	1				
A01		127508-0	BAND ASS'Y	1				
A02		198892-0	CUTTER ASSEMBLY 95-M10L SET M	1				
A03		195246-2	SAFETY GOGGLE	1				
A05		783013-3	BOX DRIVER 16-17	1				

B:DUR194SFX2(H)

Interchange

O : Yes

X : No

< : the new part can be substituted for the current.

> : the current part can be substituted for the new.

S : Interchangeable as a set.

